

- Quiet operation
- Zero maintenance
- Design prevents backflow
- Will seal around solids
- Designed to withstand wear
- Tough enough for abrasive slurries

The Series CPO Slip-On Check Valve is designed to be efficient, quiet and tough. It requires no external power sources, thereby reducing operation costs. The valve's simple design means there are no moving mechanical parts to break down or jam, reducing maintenance costs.

CPO Valves easily handle corrosive or abrasive materials such as raw sewage, sludges or slurries. Their flexible design allows solids to pass through unhindered and can even surround solids trapped in the valve.

Series CPO Slip-On Check Valves are versatile and can be installed either horizontally or vertically.

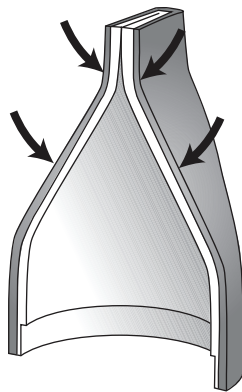
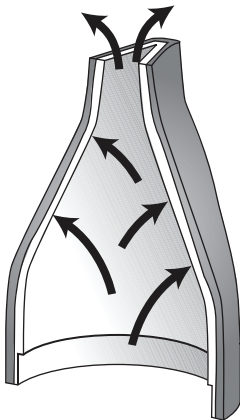


Typical Applications

Sewer Interceptors - Wet Wells - Mine Tailing Systems - Dredging - Scrubber Systems - Outfall Lines - Wet/Dry Wells

Designed to mount directly on existing piping, the Series CPO Valve is held in place with durable stainless steel clamps.

The CPO Series valve allows material to flow through...

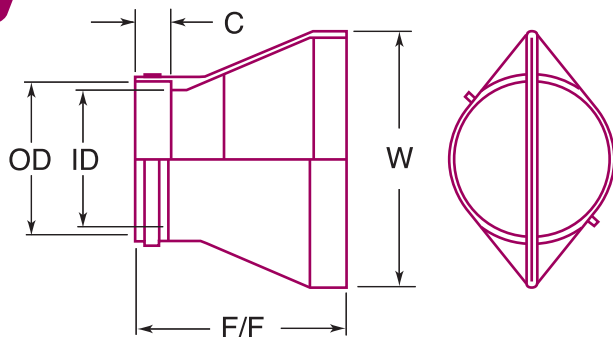


...and then prevents it from returning to its source.

The heart of the Elasto-Valve Series CPO Backflow Preventer is a fabric reinforced rubber "duckbill" sleeve manufactured with top quality materials. This flexible sleeve provides maximum flow with a minimum pressure drop across the valve at all times.

Unlike conventional check valves - which require frequent maintenance to replace worn seats, hinge pins, balls or flappers - there is little or no maintenance with CPO Valves.

Available in a variety of styles and reinforced elastomers, the Elasto-Valve Series CPO Backflow Preventer can be adapted to almost any application.



For engineering specifications or when placing your order, please provide the following information:

	Minimum	Maximum
Flow Rate	<input type="text"/>	<input type="text"/>
Flow Velocity	<input type="text"/>	<input type="text"/>
Line Pressure	<input type="text"/>	<input type="text"/>
Back Pressure	<input type="text"/>	<input type="text"/>
Media	<input type="text"/>	
Mounting Pipe:	<input type="text"/> I.D.	<input type="text"/> O.D.
Discharge:	<input type="checkbox"/> Atmosphere	<input type="checkbox"/> Water
Type of Clamp:	<input type="checkbox"/> SS316	<input type="checkbox"/> Other

ID ¹	1/2	3/4	1	1-1/2	2	2-1/2	3	4	5	6	8	10	12	14	16	18
F/F ¹	2-1/2	3	3-1/4	4-1/2	5-3/4	7-1/2	9	12	13	15	17	18	24	26-1/2	28	31
C ¹	1	1	1	1	1-1/2	2	3	3	3	4	4	4	6	6	6	6
W ^{1*}	1	1-1/2	2-1/8	2-5/8	3-7/8	4-5/8	5-1/2	7-3/8	8-3/4	10-1/2	13-3/4	17	19-5/8	24-3/4	26-1/2	29-3/4
Weight ²	.25	.75	1.5	3.8	4.75	7.6	10.45	14.25	16.15	20	23.75	35.15	56	71.25	118	195
ID ¹	20	24	28	30	32	36	42	48	54	60	63	70	72	78	84	94
F/F ¹	32	41	44	46	52	58	61	70	74	80	88	95	97	100	102	105
C ¹	8	8	8	10	10	10	12	12	12	12	12	14	14	18	18	18
W ^{1*}	31-1/2	43	46	49	51	55-1/4	66-1/4	74-1/2	78-1/4	85	92	100	105	107	111	150
Weight ²	299	380	451	523	572	621	902	947	1016	1207	1245	1300	1356	1500	1750	2000

1 - inches 2 - pounds (approx.)

*Dimensions are for clearance purposes only. Actual product dimensions may vary based upon specific application requirements.

Dimensions can be revised to suit custom specifications.

Consult factory for other sizes.

Elastomer Selection Guide

Ethylene Propylene Rubber (EPDM)

Most effective for applications involving water, steam or diluted acids.

Viton (FKM)

Resists solvents, halogenated hydrocarbons, oxygen, weather, ozone, oils and chemicals.

Buna N (NBR)

Resistant to kerosene, moderate chemicals, fats, oils, grease and many hydrocarbons.

Pure Gum Rubber (PGR) / Natural Rubber (NR)

Good abrasion resistance, tensile strength and resiliency. Also suitable when dealing with organic acids, alcohols, ketones and most moderate chemicals.

Hypalon (CSM)

Resists strong acids and bases, ozone, weathering, heat and oxidizing chemicals.

Butyl (CIIR)

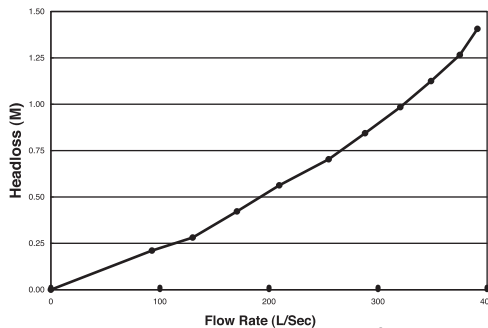
Good resistance to animal and vegetable fats, strong and oxidizing chemicals, oils, heat and greases.

Neoprene (CR)

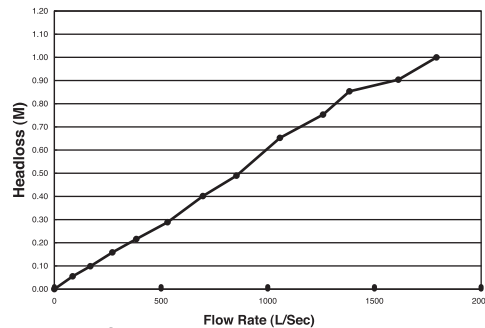
Generally resistant to oil and grease, moderate chemicals, fats,

When placing your order, please indicate sleeve material by appending elastomer abbreviation (CR, NR, etc) to the model name.
e.g: Series CPO-CR

300mm CPF / CPO DUCKBILL CHECK VALVE



600mm CPF / CPO DUCKBILL CHECK VALVE



Sample Flow Rate vs. Headloss Graphs.
Other valve sizes available upon request.
Based on flow testing at Utah State University.

Warranty Policy

All products manufactured by Elasto-Valve Rubber Products Inc. (EVR) are guaranteed against defects resulting from faulty workmanship or materials for one (1) year from date of shipment to Buyer. If any such product is found to be defective by reason of faulty workmanship or materials, then upon written notice and return of the product, and at EVR's sole discretion, the defective product will be replaced or repaired by EVR free of charge at EVR's factory. Claims for labour costs and other expenses required to replace and/or transport such defective product or to repair damage resulting from the use thereof will not be allowed by EVR. Our liability does not include consequential damages and is limited to the price paid for the defective product. EVR shall not be bound by any other warranty other than the above set forth unless such warranty shall be agreed in writing by EVR. All EVR literature is published in good faith and is believed to be reliable at time of print; however, due to product design changes EVR reserves the right to make alterations from published materials at any time. Formal approval drawings are available to confirm individual products upon request at time of order.

Distributed by:

ELASTO-VALVE RUBBER PRODUCTS INC.

1691 Pioneer Road, Sudbury,
Ontario Canada P3G 1B2
Tel. (705)523-2026 - Fax. (705)523-2033
Toll Free 1-800-461-6331 (N.A.)
Website: www.evrproducts.com
E-mail: sales@evrproducts.com

ISO 9001 Certified

