
VAG Air Valves

High performance safety for your System



Industry

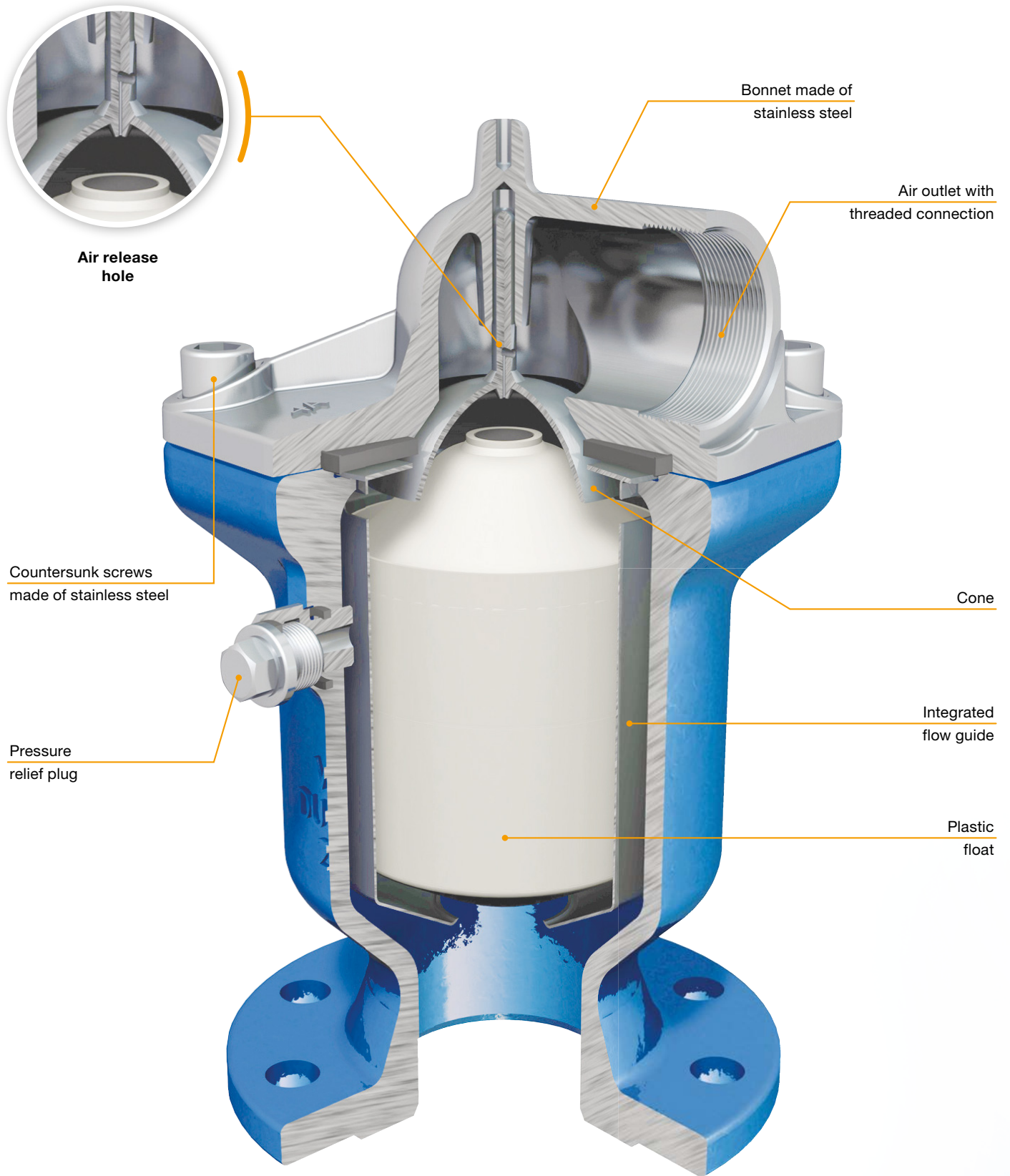


Wastewater



Water distribution

VAG DUOJET® Automatic Air Valve



Product features

- Single chamber type in compact design ensuring easy assembly and low space requirements; highly reliable function and low maintenance.
- Economic solution due to a venting system with three functions:
 - Venting
 - Air release
 - Automatic air release during operation
- Guaranteed air discharge even at high air velocities, no interruption of the filling process and high discharge capacity due to the integrated flow guide.
- Maintenance possible without shutdown of the pipeline due to pressure relief plug with cross bore.
- Threaded air outlet for the field connection of drainage pipes.

Technical details

- Nominal pressures PN 10, 16, 25
- Nominal diameters DN 50 ... 200
- Standard version: Body made of ductile iron EN-GJS-400-15 (GGG-40), bonnet made of stainless steel 1.4308, inner parts made of stainless steel 1.4541, float made of plastic / stainless steel 1.4571
- With flange connection to EN 1092-2
- Coating: inside and outside epoxy coating (GSK quality)

Fields of application



Water treatment



Water distribution



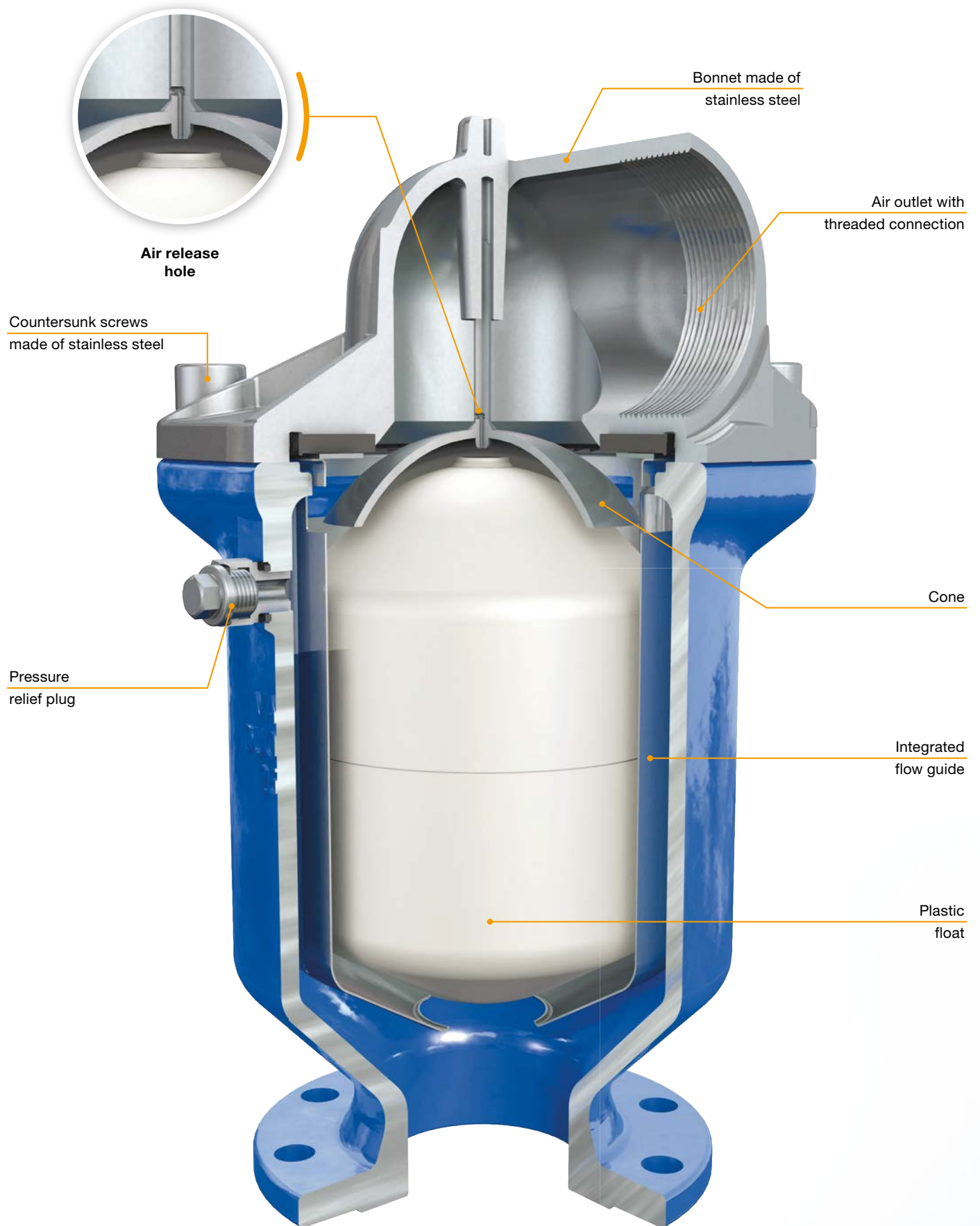
Industry



Interesting facts

- All parts in touch with the medium are made to KTW and DVGW W 270 requirements, avoids bacterial contamination.
- Due to optional features such as insect screen or orifice, the valve can be adapted to operating and environmental conditions at a later point of time.
- All metal parts are made of corrosion proof materials and thus corrosion-resistant and incrustation-free.

VAG DUOJET®-P Automatic Air Valve | High performance



Product features

- Single chamber type in compact design ensuring easy assembly and low space requirements; highly reliable function and low maintenance.
- Economic solution due to a venting system with three functions:
 - Venting
 - Air release
 - Automatic air release during operation
- Guaranteed air discharge even at high air velocities, no interruption of the filling process and high discharge capacity due to the integrated flow guide.
- Maintenance possible without shutdown of the pipeline due to pressure relief plug with cross bore.
- Threaded air outlet for the field connection of drainage pipes.

Technical details

- Nominal pressures PN 10, 16, 25
- Nominal diameters DN 50 ... 150
- Standard version: Body made of ductile iron EN-GJS-400-15 (GGG-40), bonnet made of stainless steel grade 1.4308, inner parts made of stainless steel 1.4541, float made of plastic / stainless steel 1.4571
- With flange connection to EN 1092-2
- Coating: inside and outside epoxy coating (GSK quality)

Fields of application



Water distribution



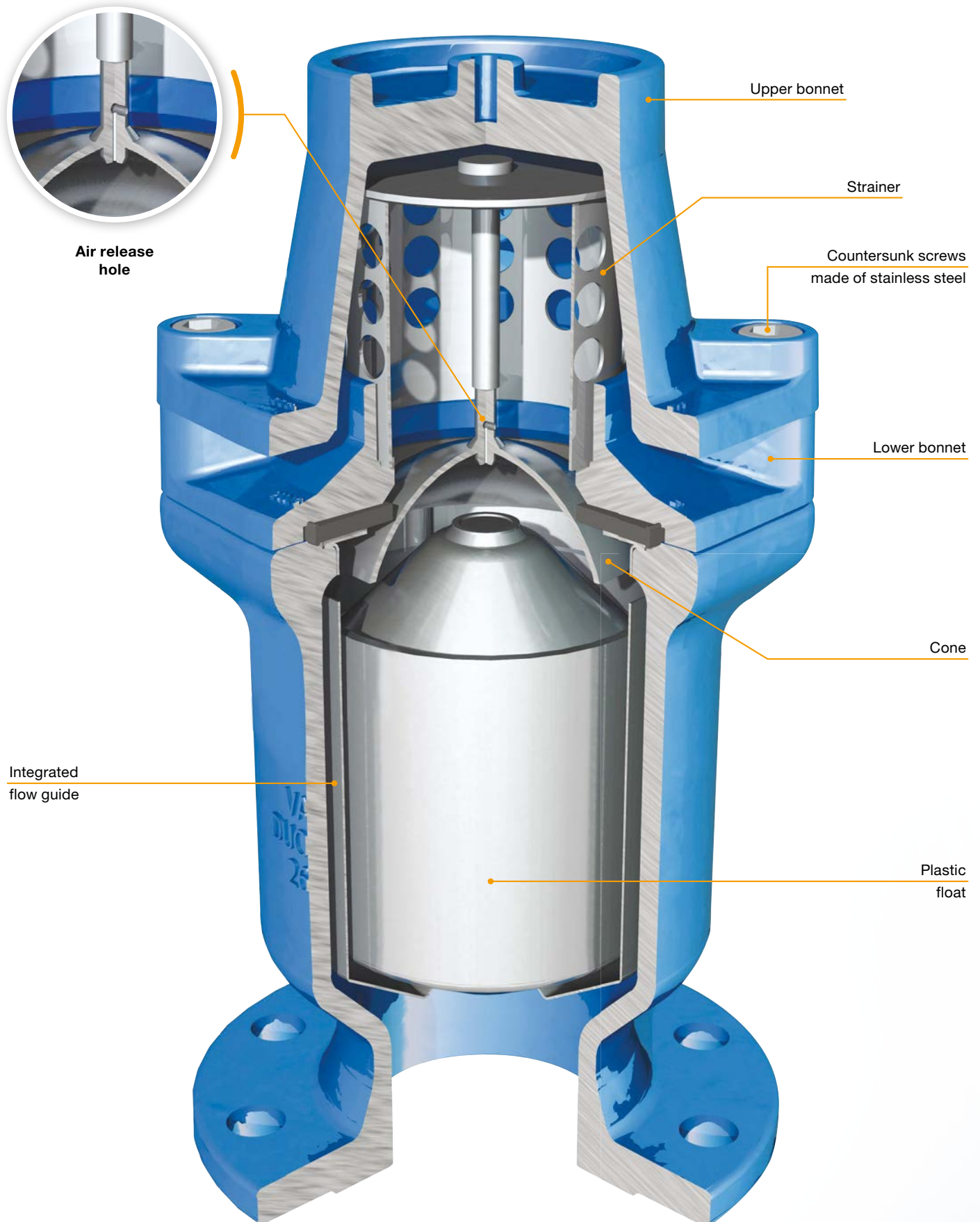
Industry



Interesting facts

- 40% higher performance than standard air valves: design according to full bore ensures higher performance.
- All parts in touch with the medium are made to KTW and DVGW W 270 requirements, avoids bacterial contamination.
- Due to optional features such as insect screen or orifice, the valve can be adapted to operating and environmental conditions at a later point of time.
- All metal parts are made of corrosion proof materials and thus corrosion-resistant and incrustation-free.

VAG DUOJET®-T Automatic Air Valve | Tamper resistant



Product features

- Single chamber type in compact design ensuring easy assembly and low space requirements; highly reliable function and low maintenance.
- Economic solution due to a venting system with three functions:
 - Large orifice to admission of high quantities of air during draining the pipeline
 - Large orifice to release high quantities of air during filling the pipeline
 - Small orifice to release low quantities of air during operation under pressure
- Guaranteed air discharge even at high air velocities, no interruption of the filling process and high discharge capacity due to the integrated flow guide.

Technical details

- Nominal pressures PN 10, 16, 25
- Nominal diameters DN 50 ... 200
- Standard version: Body made of ductile iron EN-GJS-400-15 (GGG-40), bonnet made of stainless steel grade 1.4308, inner parts made of stainless steel 1.4541, float made of plastic / stainless steel 1.4571
- With flange connection to EN 1092-2
- Coating: inside and outside epoxy coating (GSK quality)

Fields of application



Water distribution



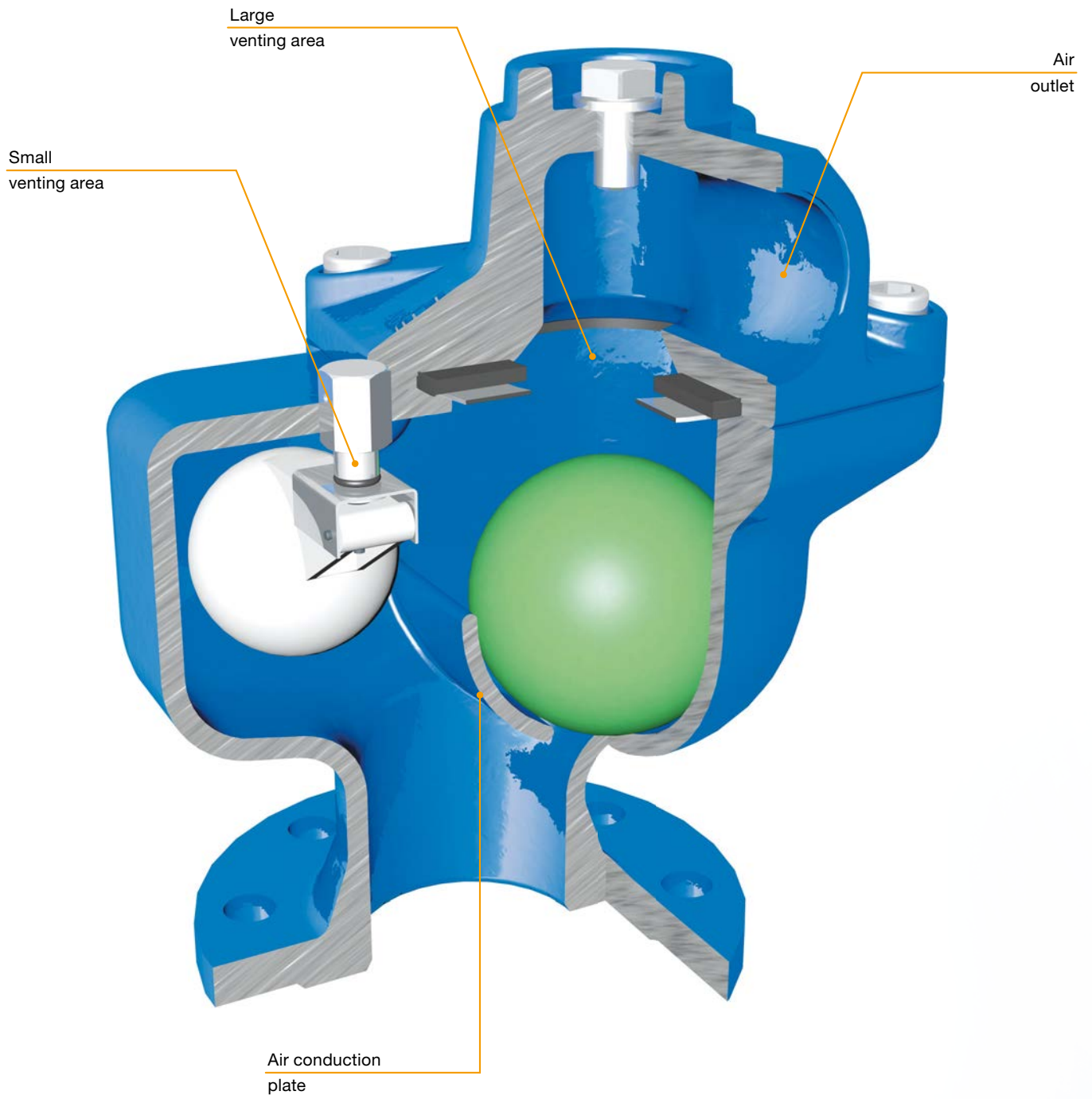
Industry



Interesting facts

- Tamper resistant due to special strainer and bonnet design.
- All parts in touch with the medium are made to KTW and DVGW W 270 requirements, avoids bacterial contamination.
- All internal parts are made of corrosion proof materials to ensure long life of the valve.

VAG TWINJET® Automatic Air Valve



Product features

- Double-chamber valve with compact design ensuring easy assembly, low space requirements, highly reliable function and low maintenance.
- Economic solution due to a venting system with three functions:
 - Venting
 - Air release
 - Automatic air release during operation
- Easy maintenance due to lateral pressure relief plug.
- With lifting eye for easy installation of the valve.

Technical details

- Nominal pressures PN 10, 16, 25
- Nominal diameters DN 50 ... 300
- Standard version: Body and bonnet made of ductile iron EN-GJS-400-15 (GGG-40), inner parts and float made of plastic (exception: float of DN 250 and DN 300 made of stainless steel grade 1.4571)
- Outlet with parallel female thread to DIN ISO 228
- Minimum pressure required for sealing 0,3 bar
- Coating: inside and outside epoxy coating (GSK quality)

Fields of application



Water treatment



Water distribution

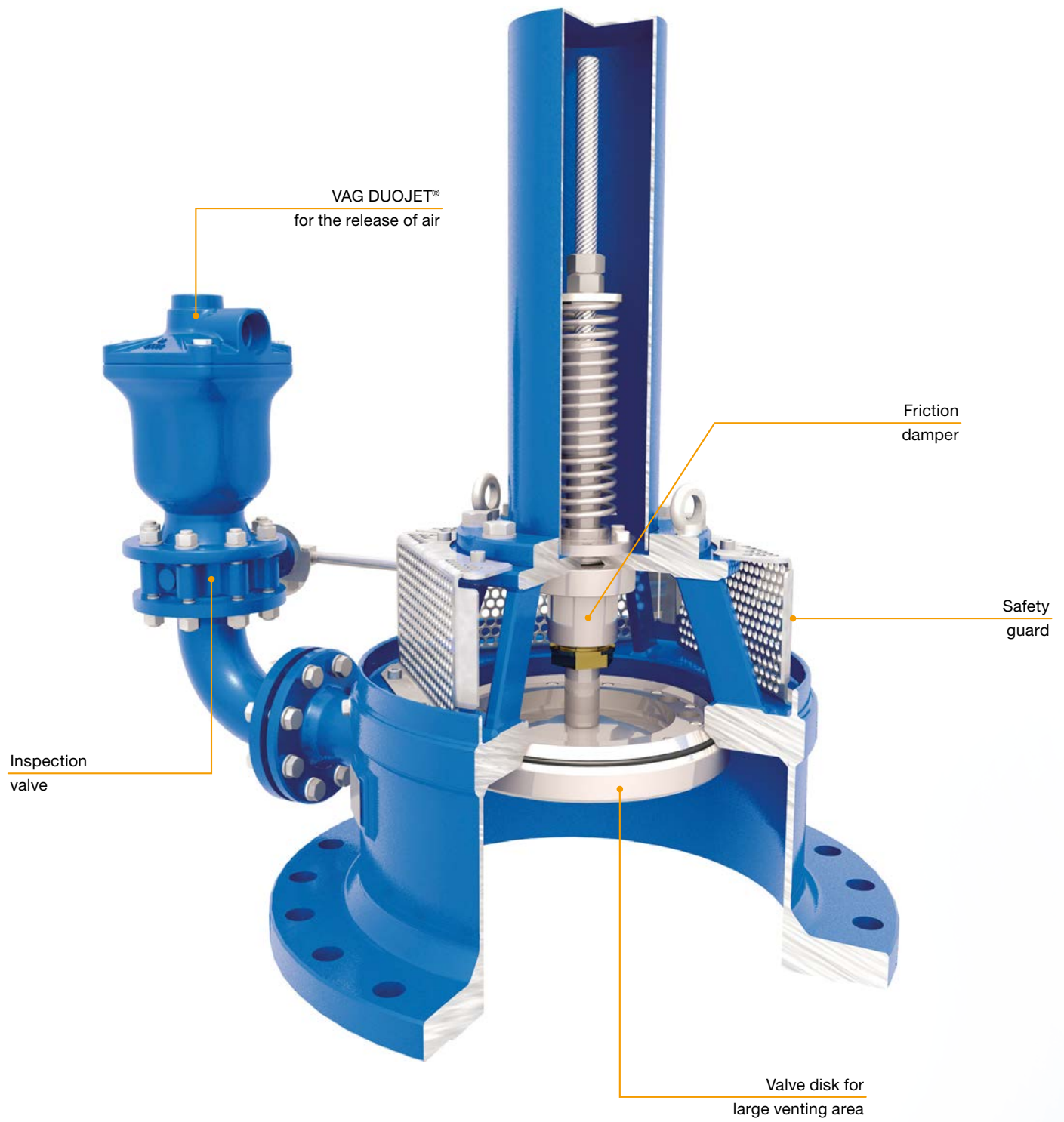


RAL GUTEZEICHEN

Interesting facts

- High discharge capacity for large amounts of air possible by special design with air diverter plate.
- Version VAG TWINJET®-S Automatic Air Valve with integrated butterfly valve allows dismantling the valve from the pipeline without interruption of operation.

VAG Spring Loaded Air Valve



Product features

- Air valve with triple function:
 - Large disk cross-section to vent large amounts of air in case of quick shut-down, quick drainage or pipe bursts
 - Medium-sized cross-section to release air while the pipeline is being filled (VAG DUOJET® Automatic Air Valve)
 - Small cross-section to release small amounts of air during operation (VAG DUOJET® Automatic Air Valve)
- Very high venting capacity for large amounts of air with attached VAG DUOJET® Automatic Air Valve for air release during operation.

Technical details

- Nominal pressures PN 10, 16, 25
- Nominal diameters DN 300 ... 800
- Standard version: Body and bonnet made of welded steel S235JRG2, inner parts and stem made of stainless steel grade 1.4301, body of the VAG DUOJET® Automatic Air Valve and the inspection valve made of ductile iron EN-GJS-400-15 (GGG-40)
- With flange connection to EN 1092-2
- Minimum pressure required to seal the venting areas 0,3 bar
- Coating: inside and outside epoxy coating (EN 14901-1+A1)

Fields of application



Water distribution



Industry

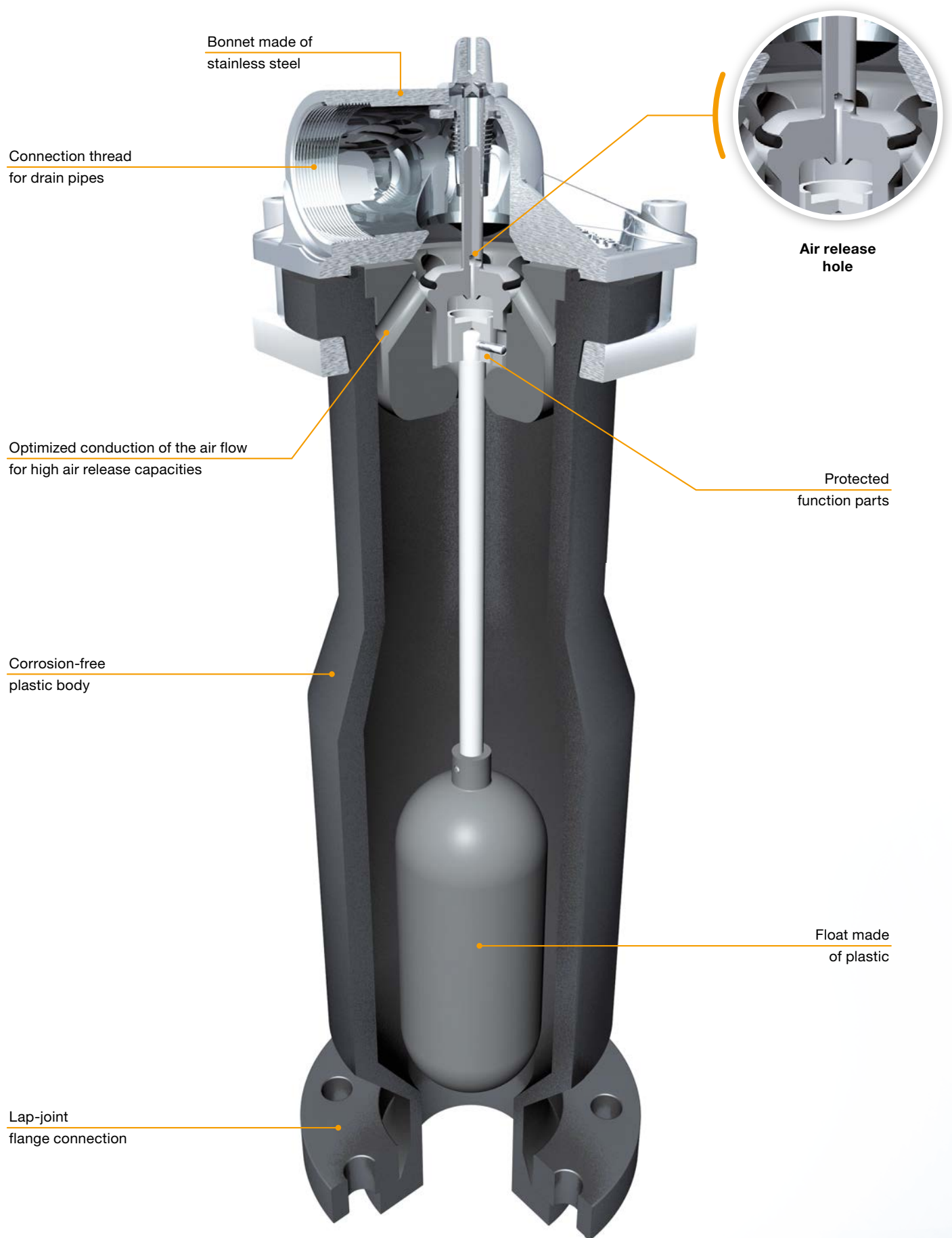


Dams and
hydropower

Interesting facts

- With VAG DUOJET® Automatic Air Valve arranged on the side and upstream inspection valve (VAG CEREX® 300 Butterfly Valve)
- Friction damper to dampen the closing movement and thus reduce pressure surges.
- Safety guard for the protection of people.

VAG FLOWJET® PE Automatic Air Valve



Product features

- Economic solution ensured by a venting system with three functions:
 - Venting
 - Air release
 - Automatic air release during operation
- Easy handling thanks to low weight.
- Maintenance-friendly as all inner function parts can be removed together from above.
- Low overall height due to specially designed upper part.
- Optimized air-flow conduction in the upper part ensures high air-release capacities.
- Variable installation position due to lap-joint flange connection.
- Frost-proof due to flexible plastic body.
- Threaded air outlet for the field connection of drainage pipes.

Fields of application



Wastewater

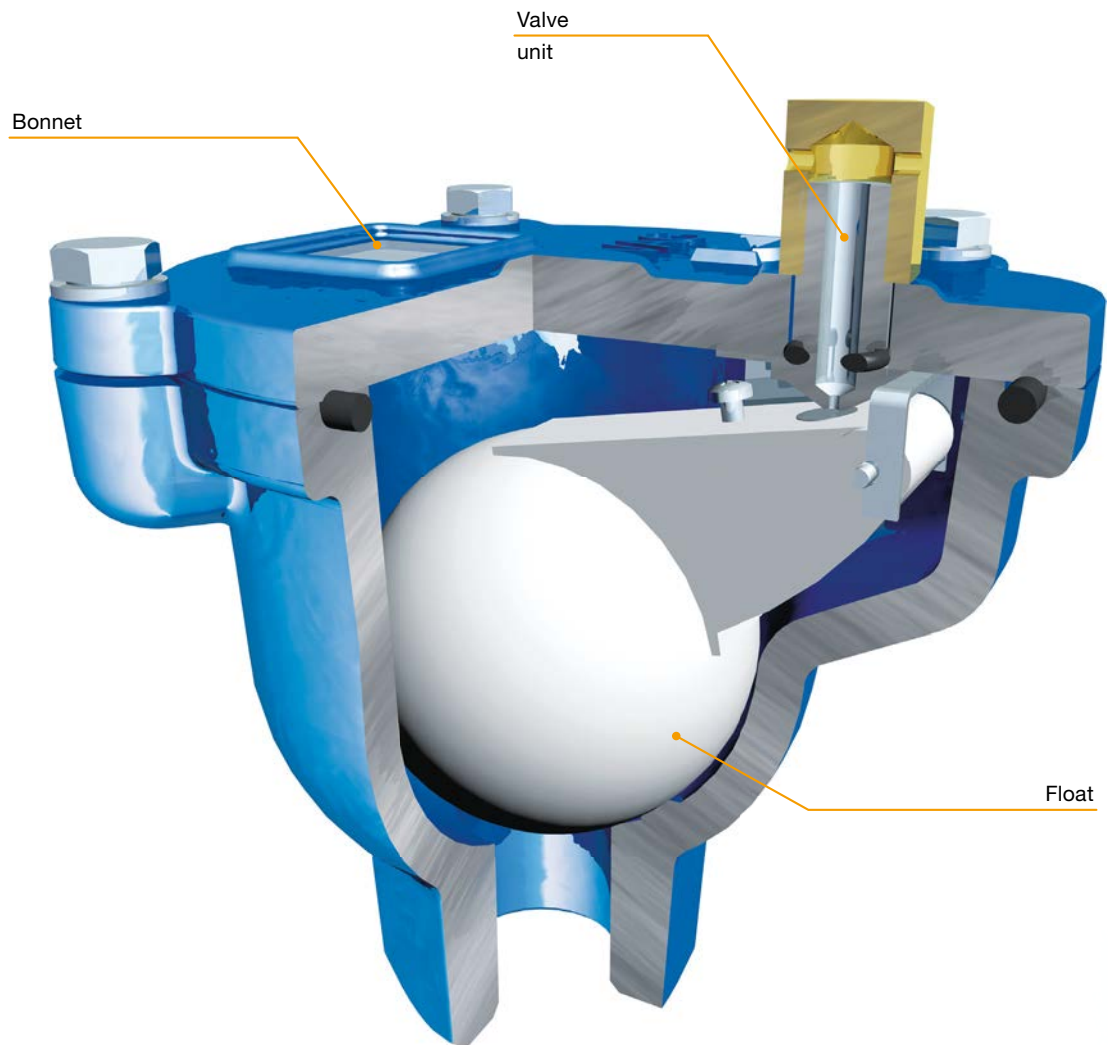
Technical details

- Nominal pressures PN 10, 16
- Nominal diameters DN 50 ... 200
- Single-chamber valve in compact design
- Standard version: Body made of PE 100, bonnet made of stainless steel grade 1.4308, float made of PE 100, lap-joint flange made of steel with PP coat
- With flange connection to EN 1092-2
- Outlet with parallel female thread to ISO 228 G 1 ¼", G 2 ½"

Interesting facts

- Easy cleaning of the inside ensured by incrustation- and corrosion-free PE plastic body, which makes maintenance fast and easy.
- The moving functional parts of the valve are located inside the upper part of the valve where they are protected from dirty water. This ensures high reliability of function.

VAG BEV-E Automatic Air Valve



Product features

- Air valve with double function:
 - Small venting cross-section to release small amounts of air during operation
 - Medium air release capacity for small amounts of air

Technical details

- Max. operating pressure PS 16 / 25 bar
- Single-chamber valve in compact design
- Standard version: Body and bonnet made of ductile iron EN-GJS-400-15 (GGG-40), float made of plastic
- With thread for easy direct connection to the pipeline
- Outlet with parallel female thread to DIN ISO 228 G 3/4", G 1", G 1 1/4"
- Coating: inside and outside epoxy coating (GSK quality)

Fields of application



Water treatment



Water distribution

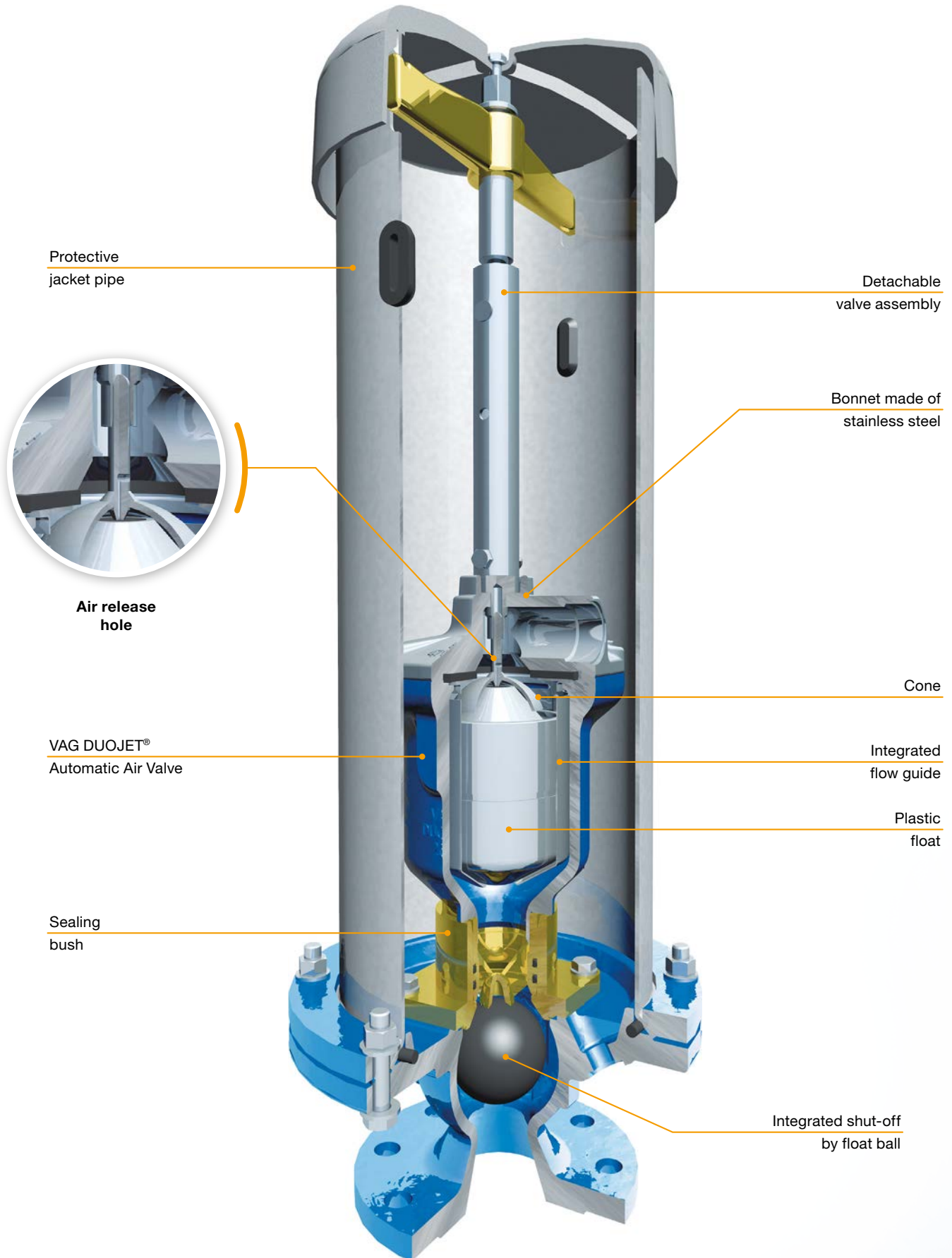


RAL GUTEZEICHEN

Interesting facts

- Compact design ensuring easy assembly, low space requirements, highly reliable function and low maintenance.

VAG BEV Venting Set



Product features

- Economic solution due to a venting system with three functions:
 - Venting
 - Air release (high discharge capacity)
 - Automatic air release during operation
- The protective jacket pipe takes over the function of the pit, which eliminates the necessity of investments on site.
- Automatic shut-off towards the pipeline via rubber coated ball. This ensures the reliable and automatic shut-off when the valve is dismantled.
- The screwed fitting serving as drain port allows the discharge of splashed water directly into a suitable drainage pit or via a drain hose.

Technical details

- Nominal pressure PN 16
- Nominal diameter DN 80
- Standard version: Body of the VAG DUOJET® Automatic Air Valve made of ductile iron EN-GJS-400-15 (GGG-40), protective jacket pipe made of stainless steel grade 1.4541; bonnet of protective jacket pipe made of corrosion-resistant aluminum alloy, float made of plastic
- With flange connection to EN 1092-2
- Minimum pressure required for sealing the venting areas 0,3 bar
- With VAG DUOJET® Automatic Air Valve
- Coating: inside and outside epoxy coating (GSK quality)

Fields of application



Water distribution

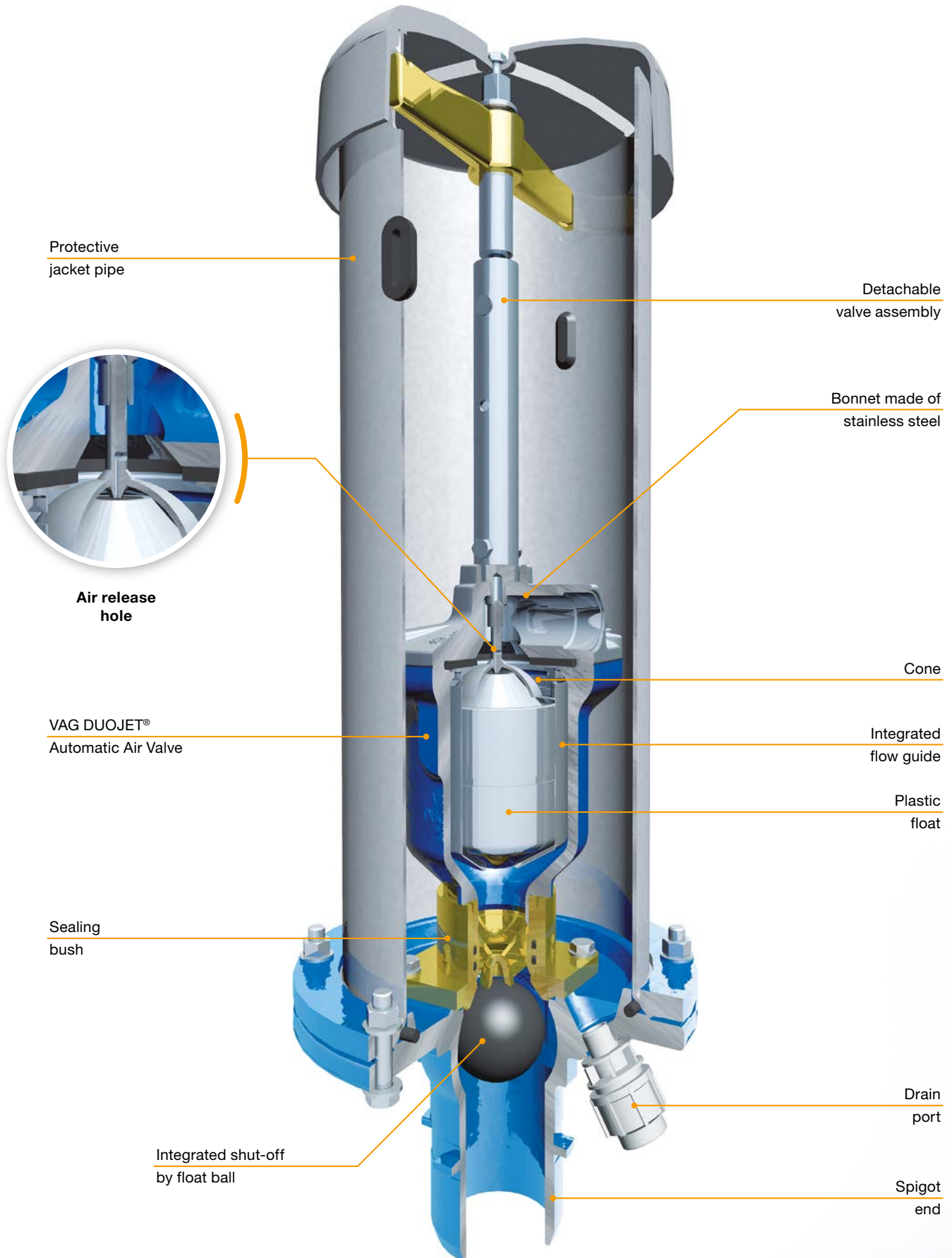


RAL GUTEZEICHEN

Interesting facts

- The sturdy, rust-proof unit allows direct buried installation (above-ground or underground installation in a special surface box), which considerably reduces installation costs.
- Jacket pipe can be shortened by 100 mm on site, which ensures flexible adaptation to the installation height.

VAG BAIO® BEV Venting Set



Product features

- With spigot-end connection for connection with VAG BAIO^{®plus} system components.
- Single-chamber type in compact design.
- High release capacity for large amounts of air.
- Air valve with triple function:
 - Large venting cross-section to vent large amounts of air while the pipeline is being emptied
 - Large venting cross-section to release large amounts of air while the pipeline is being filled
 - Small venting cross-section to release small amounts of air during operation.
- Short assembly times due to small number of components and easy assembly or disassembly.
- Corrosion resistant due to boltless connection.

Technical details

- Nominal diameter DN 80
- Max. operating pressure PS 16 bar
- Standard version: Inner parts made of stainless steel grade 1.4571, float made of plastic, seal made of EPDM, body of the VAG DUOJET[®] Automatic Air Valve made of ductile iron EN-GJS-400-15 (GGG-40), protective jacket pipe made of stainless steel grade 1.4541, bonnet of the protective jacket pipe made of corrosion-resistant aluminum alloy
- Minimum pressure required to seal the venting cross-sections 0,3 bar
- Coating: inside and outside epoxy coating (GSK quality)

Fields of application



Water distribution



RAI GUTEZEICHEN

Interesting facts

- Pull-out proof due to positive and friction-locked connection.
- Tension-free laying due +/- 3° incline to compensate earth movements.



The Valve Experts

Die Armaturen-Experten

