
VAG Butterfly Valves

High-end solutions from the pioneers
in valve design



Power plants



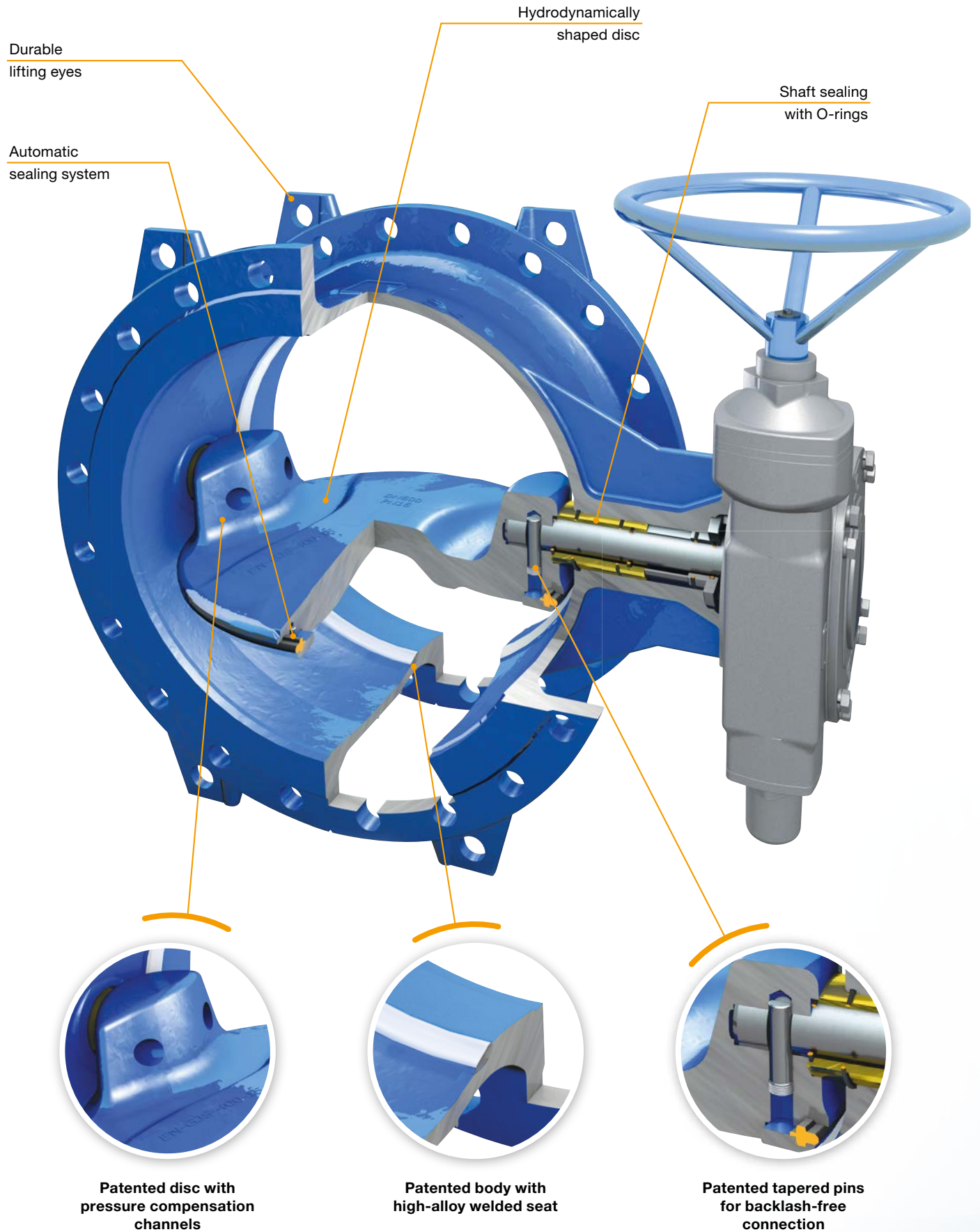
Dams and
hydropower



Water distribution

VAG EKN® H Butterfly Valve

Efficiency and sustainability redefined



Product features

- **100% shaft protection:** For the highest corrosion protection, the stainless-steel shafts are completely isolated from medium by O-rings and closed self-lubricated bearing bushes.
- **High-end seat:** The wear-resistant, corrosion-proof and infiltration-proof seat with its optimised geometry and high-precision finish ensures the durability of the entire sealing system.
- **Reliable sealing system:** The operating pressure supports the sealing effect – irrespective of the flow direction. Due to its moulded sealing profile, there is no risk of the profiled sealing being pulled out even at high gap velocities.
- **Double eccentricity:** The double-offset position of the disc ensures high sealing force at low operating torques. Considerable reduction of the shear stress acting on the profiled sealing ring and its full release when the valve is in the open position increases its service life.

Technical details

- Nominal pressures PN 10, 16, 25
- Nominal diameters DN 150 ... 1200
- Standard version: Body and disk made of ductile iron EN-GJS-400-15 (GGG-40), sealings made of EPDM, shafts made of stainless steel 1.4021, bearing bushes made of bronze, seat made of high Ni-Cr alloy steel
- Face-to-face length acc. to EN 558, basic series 14
- Coating: inside and outside epoxy coating (GSK quality)

Fields of application



Water distribution



Dams and
hydropower



Power plants

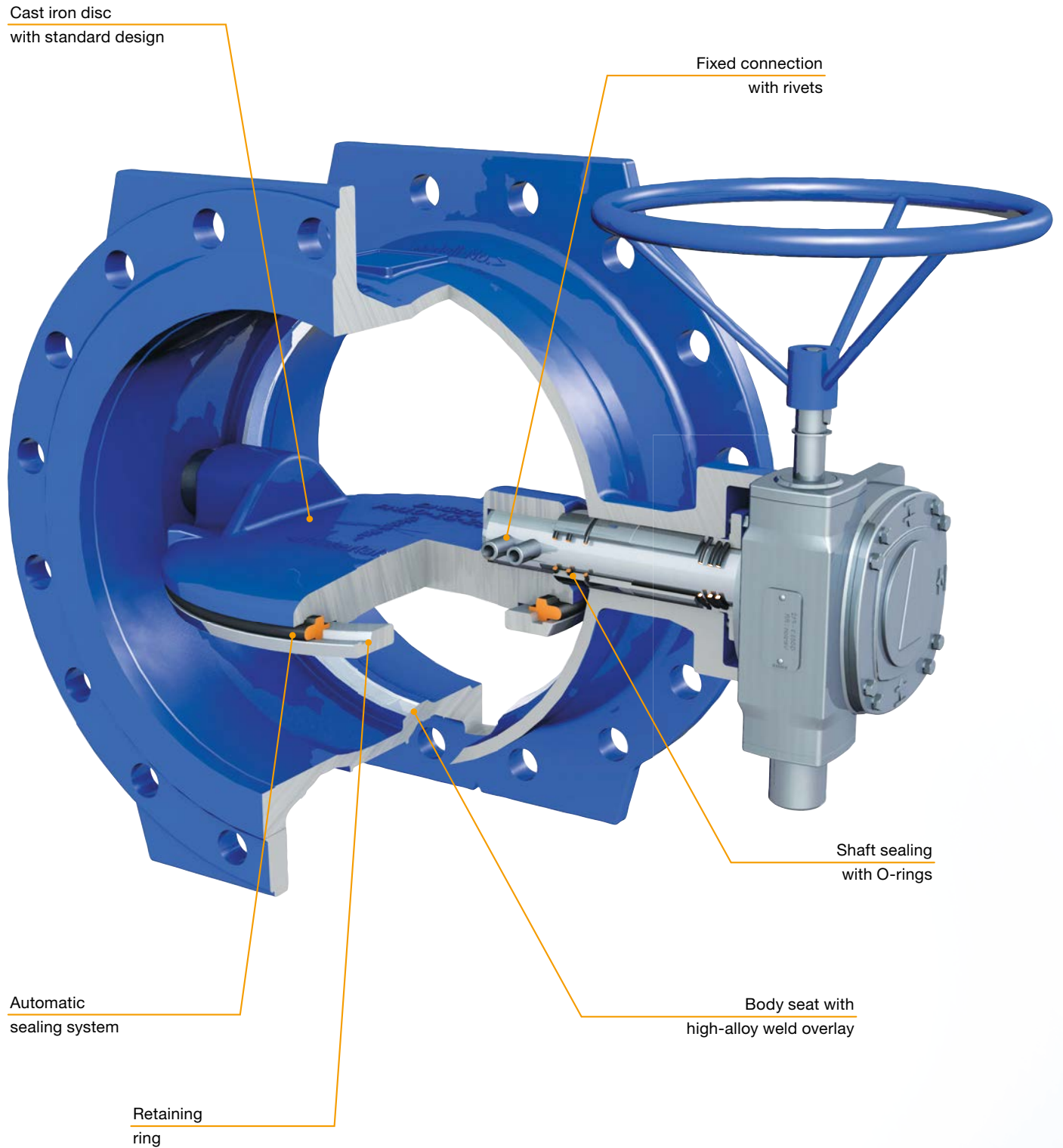


Interesting facts

- The flow optimized design with patented hydrodynamic disk, enlarged inner diameter and patented pressure compensation channels lead up to 40% higher energy savings compared to standard design.
- The patented tapered-pin connection ensures the permanently backlash-free connection of the shaft and disk and reliable torque transmission. The complete enclosure of the tapered pins in the disk prevents corrosion.
- Different designs, coatings systems and customer-specific solutions allow use in almost all fields of applications.

VAG EKN® M Butterfly Valve

Proven by decades in the most demanding conditions



Product features

- **100% shaft protection:** For the highest corrosion protection, the stainless-steel shafts are completely isolated from medium by O-rings and closed self-lubricated bearing bushes.
- **High-end seat:** The wear-resistant, corrosion-proof and infiltration-proof seat with its optimised geometry and high-precision finish ensures the durability of the entire sealing system.
- **Reliable sealing system:** The operating pressure supports the sealing effect – irrespective of the flow direction. Due to its moulded sealing profile, there is no risk of the profiled sealing being pulled out even at high gap velocities.
- **Double eccentricity:** The double-offset position of the disc ensures high sealing force at low operating torques. Considerable reduction of the shear stress acting on the profiled sealing ring and its full release when the valve is in the open position increases its service life.

Technical details

- Nominal pressures PN 6, 10, 16, 25, 40
- Nominal diameters DN 100 ... 4000
- Standard version: Body and disk made of ductile iron EN-GJS-400-15 (GGG-40), sealings made of EPDM, shafts made of stainless steel 1.4021
- Face-to-face length acc. to EN 558, basic series 14
- Coating: inside and outside epoxy coating (GSK quality)

Fields of application



Water distribution



Dams and
hydropower

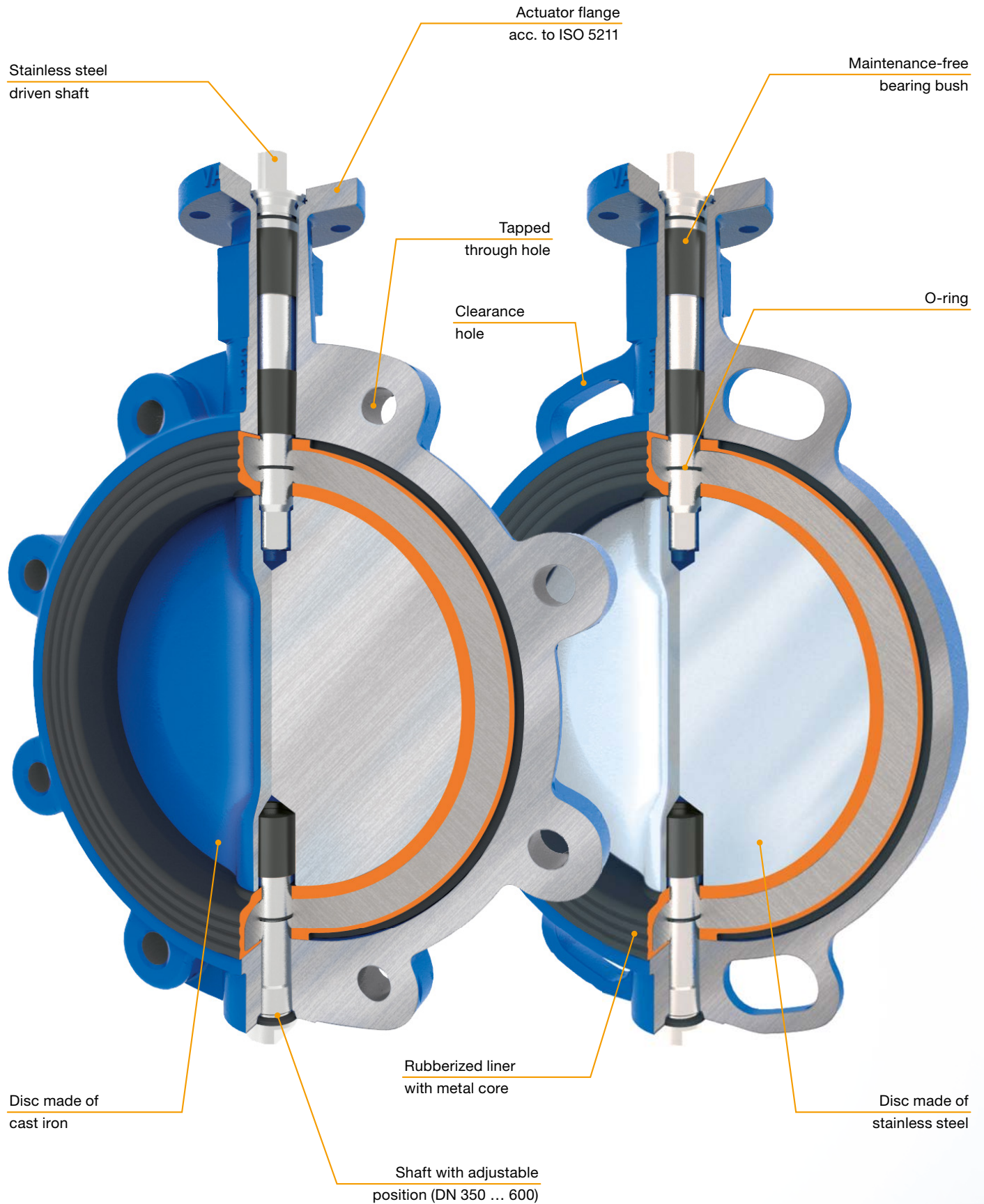


Power plants



VAG CEREX® 300 Butterfly Valve

A hard worker - for an entire lifetime



Product features

- **Universal actuator connection:** The square shaft connection and actuator flange acc. ISO 5211 enables the different actuator elements to be safely and directly connected and even subsequently changed.
- **Divided shaft:** The split-shaft design ensures lower pressure loss in open position and prevents high wear of rubber liner due to weight of disc when installed in vertical position.
- **Maintenance-free shaft bearings:** Special plastic slide bearings provides low operating torques and maximum stiffness even after many load cycles. The material is conductive and allows the valve to be used even in an explosive environment.
- **Safety first:** Unattenuated, blow-out-proof drive shaft and triple external O-ring sealing ensure the valve operates reliably and safely.
- **Reinforced liner:** Vulcanised retaining ring guarantees a stable seat sealing and permanently low operating torques.

Technical details

- Nominal pressures PN 10, 16
- Nominal diameters DN 50 ... 600
- Standard version: body made of ductile cast iron EN-GJS 400-15 (GGG-40), disk made of stainless steel 1.4408 or ductile iron EN-GJS-400-15 (GGG-40), liner EPDM or NBR, shafts made of stainless steel 1.4021
- With bare shaft and actuator flange connection acc. to ISO 5211
- Face-to-face length acc. to EN 558, basic series 20
- Coating: inside and outside epoxy coating (EN 14901-1+A1)

Fields of application



Industry



Wastewater



Gas



Interesting facts

- The plastic material of slide bushes is conductive and allows the valve to be used even in an explosive environment.
- With a counter-flange the Lug version can be installed also at the end of the pipeline.



The Valve Experts

Die Armaturen-Experten

