



PN 10/16 - DN 150...800

KAT-A 2450-m-V

Product characteristics and benefits

- Metallic sealing in accordance with EN 16767
- Face-to-face length acc. to EN 558, basic series 48 (DIN 3202, F6)
- With flange ends on both sides acc. to EN 1092-2
- With lever and weight (located on the right in flow direction)
- Lever and weight useable for position indicator
- Connection between shaft and disk by key
- For vertical pipelines (flow from bottom upwards)
- With large access bonnet for easy maintenance

Materials

- Body: Ductile iron EN-GJS-400-15 (GGG-40)
- Bonnet: Ductile iron EN-GJS-400-15 (GGG-40)
- Check valve disk: Ductile iron EN-GJS-400-15 (GGG-40)
- Bonnet bolts: Stainless steel A4 (DIN EN ISO 3506)
- Check valve shaft: Stainless steel 1.4057
- Seat: Zincfree bronze (waste-water resistant)
- Shaft bushing: O-rings made of NBR (resistant to waste water)
- Check valve disk seal: Zincfree bronze (waste-water resistant)

Corrosion protection

- Internally and externally epoxy coated

Versions

- Standard version as described
- With mounted wire guard of stainless steel A4
- With factory-assembled steel wire guard St 37-2, epoxy-coated

Field of application

- Installation in plants



Tests and approvals

- Final inspection test according to EN 12266-1 (leakage rate A)

Note

For safety reasons we recommend to install a protective grid or wire guard. If not included in the scope of the order it must be done on site.

For proper installation and safe operation please follow the installation and operation instructions:

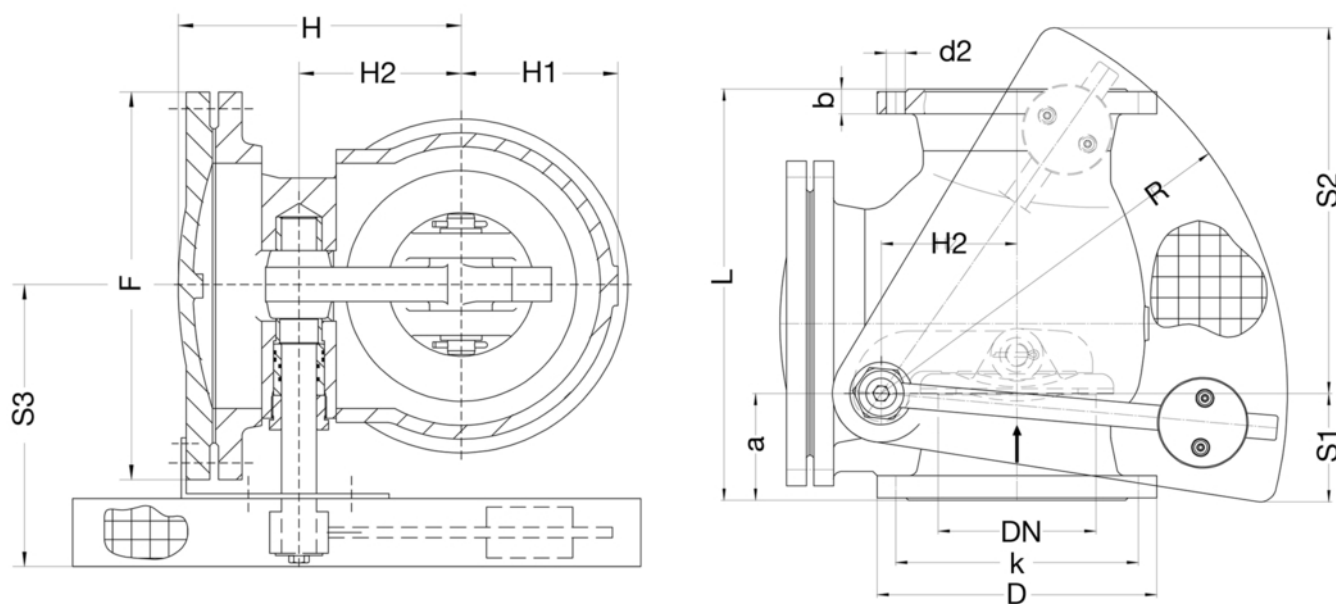
“Installation and Operating Instructions for Valves”

Field of application

DN	PN	Maximum operating pressure [bar]	Maximum operating temperature for neutral liquids [°C]
150...500	16	16	50
150...800	10	10	50



Drawing



Technical data

PN 10

DN		150	200	250	300	350	400	500	600	700	800
L	[mm]	400	500	600	700	800	900	1100	1300	1500	1700
D	[mm]	285	340	395	445	505	565	670	780	895	1015
b	[mm]	19	20	22	24.5	24.5	24.5	26.5	30	32.5	35
F	[mm]	310	370	425	490	550	620	730	910	1025	1115
H	[mm]	240	280	330	360	410	450	540	615	800	895
H1	[mm]	120	155	180	200	260	290	310	460	465	515
H2	[mm]	140	165	195	228	262	300	360	437	477	535
k	[mm]	240	295	350	400	460	515	620	725	840	950
R	[mm]	285	365	450	550	595	680	820	950	1000	1200
S1	[mm]	117	119	118	127	140	170	205	655	1080	943
S2	[mm]	273	348	425	522	540	650	890	920	1080	943
S3	[mm]	258	295	345	390	400	495	540	620	700	850
a	[mm]	115	130	145	148	195	213	217	260	365	350
d2	[mm]	23	23	23	23	23	28	28	31	31	34
No. of holes		8	8	12	12	16	16	20	20	24	24
Weight of valve approx.	[kg]	71	125	160	210	355	470	720	1000	1700	2230
Weight of wire guard approx.	[kg]	16	19	21	25	30	32	42	57	85	93
Volume approx.	[m ³]	0.12	0.2	0.32	0.46	0.59	0.84	1.33	2.02	2.99	4.5



Technical data

PN 16

DN		150	200	250	300	350	400	500
L	[mm]	400	500	600	700	800	900	1100
D	[mm]	285	340	405	460	520	580	715
b	[mm]	19	20	22	24.5	26.5	28	31.5
F	[mm]	310	370	425	490	550	620	730
H	[mm]	240	280	330	360	410	450	540
H1	[mm]	120	155	180	200	260	290	310
H2	[mm]	140	165	195	228	262	300	360
k	[mm]	240	295	355	410	470	525	650
R	[mm]	285	365	450	550	595	680	820
S1	[mm]	117	119	118	127	140	170	205
S2	[mm]	273	348	425	522	540	650	890
S3	[mm]	258	295	345	390	400	495	540
a	[mm]	115	130	145	148	195	213	217
d2	[mm]	23	23	28	28	28	31	34
No. of holes		8	12	12	12	16	16	20
Weight of valve approx.	[kg]	71	125	160	210	355	470	720
Weight of wire guard approx.	[kg]	16	19	21	25	30	32	42
Volume approx.	[m ³]	0.12	0.2	0.32	0.46	0.59	0.84	1.33